

ULTRA MINIATURE RELAY

Flat High Frequency Relay

Surface mount, 1 GHz-band, 2 Form C

FTR-B3-RF Series

■ FEATURES

- Excellent high-frequency characteristics up to 1GHz (impedance 50 Ohm) by specialized shield structure
 - Surface mount type
 - Space saving, ultra miniature flat package:
Height: 6.7mm, Mounting area: 97mm²
 - Low power consumption:
 - Standard type: 140mW (230mW at 24V)
 - Latching type: 100mW (120mW at 24V)
 - High reliable bifurcated contacts
 - RoHS compliant.
- Please see page 6 for more information



■ PARTNUMBER INFORMATION

[Example] FTR-B3 G A 012 Z - RF
 (a) (b) (c) (d) (e) (f)

(a)	Relay type	FTR-B3 : FTR-B3-Series
(b)	Terminal type	G : Surface mount S : Surface mount, space saving version
(c)	Operation function	A : Standard type B : Latching type
(d)	Coil rated voltage	012 : 1.5.....24 VDC Coil rating table at page 3
(e)	Contact material	Z : Gold overlay silver nickel
(f)	Application category	RF : High frequency type

Remarks: Actual marking on relay would not carry code FTR and be as below:
 Ordering code: FTR-B3GA012Z-RF Actual marking: B3GA012Z-RF

FTR-B3-RF SERIES

■ SPECIFICATION

Item	FTR-B3-RF		
Contact Data	Configuration	2 form C (SPDT)	
	Construction	Bifurcated contact	
	Material	Gold overlay silver alloy	
	Resistance (initial)	Max. 75 mΩ	
	Contact rating (resistive)	125VAC / 0.3A , 30VDC / 1A, 1GHz / 1W	
	Max. carrying current	2A	
	Max. switching voltage	30VDC	
	Max. switching power	62.5VA / 30W	
	Min. switching load *	1A	
High Frequency Characteristics	Isolation	30dB min. (at 1GHz)	
	Insertion loss	0.2dB max. (at 1GHz)	
	V.S.W.R.	1.2 max (at 1GHz)	
	Maximum carrying power	1W (at 1GHz)	
	Maximum switching power	3W (at 1GHz)	
Life	Mechanical	Min. 50 x 10 ⁶ operations	
	Electrical	Min. 100 x 10 ³ operations	
Coil Data	Rated Power (at 20 °C)	0.2W	
	Operate Power (at 20 °C)	0.1W	
	Operating temp range	-40 °C to +85 °C	
Timing Data	Operate (at nominal voltage)	Max. 3 ms	
	Release (at 0V without diode)	Max. 3 ms	
	Set/Reset pulse	10ms minimum at nominal voltage	
Insulation	Resistance (initial)	Min. 1,000MΩ at 500VDC	
	Dielectric strength	Open contacts	750VAC, 1min
		Adjacent contacts	750VAC, 1min
		Coil and contacts	750VAC, 1min.
		Metal shield and coil/contacts	500VAC, 1min
Other	Vibration resistance	Misoperation	10 to 55Hz double amplitude 3.3mm
		Endurance	10 to 55Hz double amplitude 5.0mm
	Shock resistance	Misoperation	750m/s ² (11 ± 1ms)
		Endurance	1,000m/s ² (6 ± 1ms)
	Weight	Approximately 1.3 g	

* Minimum switching loads mentioned above are reference values. Please perform the confirmation test with actual load before production since reference values may vary according to switching frequencies, environmental conditions and expected reliability levels.

FTR-B3-RF SERIES

■ COIL RATING

Standard type

Coil Code	Rated Coil Voltage (VDC)	Coil Resistance +/- 10% (Ohm)	Must Operate Voltage (VDC) *	Must Release Voltage (VDC) *	Rated Power (mW)
1.5	1.5	16.1	1.13	0.15	140
003	3	64.3	2.25	0.3	
4.5	4.5	145	3.38	0.45	
006	6	257	4.5	0.6	
009	9	579	6.75	0.9	
012	12	1,028	9	1.2	230
024	24	2,504	18	2.4	

Latching type (1 coil)

Coil Code	Rated Coil Voltage (VDC)	Coil Resistance +/- 10% (Ohm)	Set Voltage (VDC) *	Reset Voltage (VDC) *	Rated Power (mW)
1.5	1.5	22.5	1.13	-1.13	100
003	3	90	2.25	-2.25	
4.5	4.5	203	3.38	-3.38	
006	6	360	4.5	-4.5	
009	9	810	6.75	-6.75	
012	12	1,440	9	-9	120
024	24	4,800	18	-18	

Note: All values in the table are valid for 20°C and zero contact current.

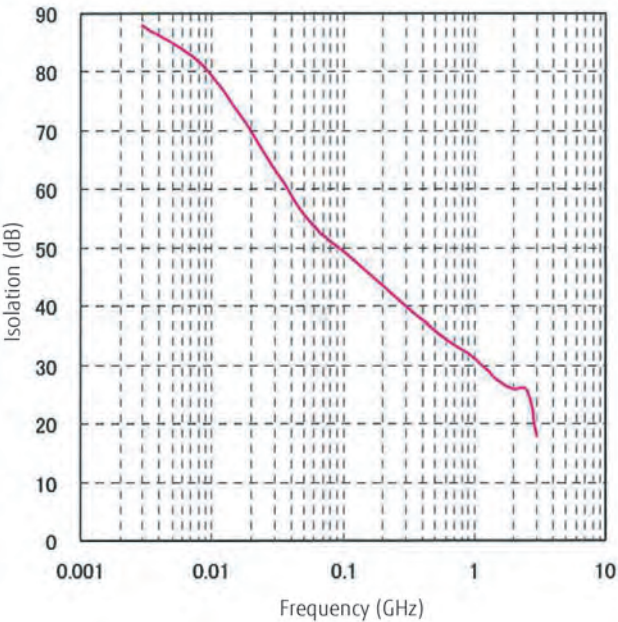
* Specified operate values are valid for pulse wave voltage.

FTR-B3-RF SERIES

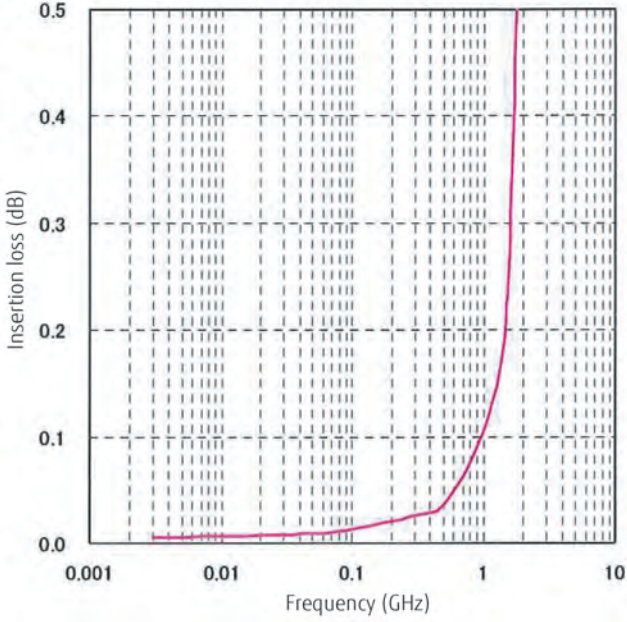
■ REFERENCE DATA

Sample relay: Coil nominal voltage 12V type
Measuring condition: Impedance 50 Ohm

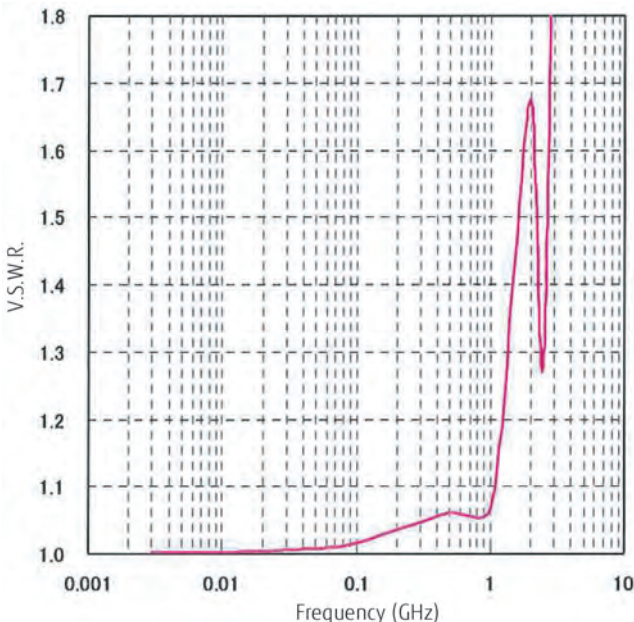
● Isolation



● Insertion loss



● V.S.W.R.

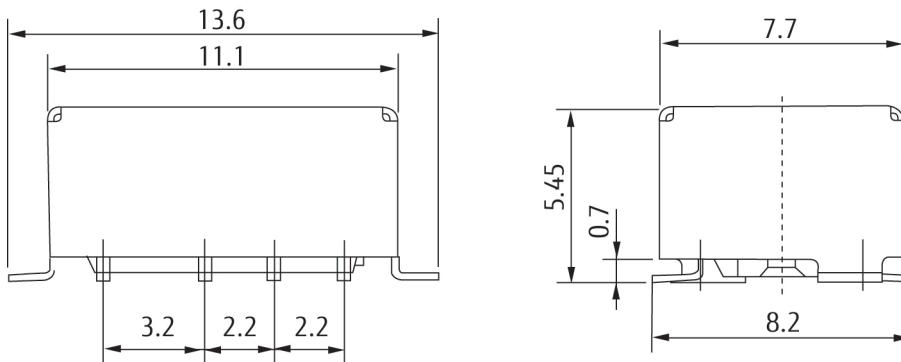


FTR-B3-RF SERIES

■ DIMENSIONS

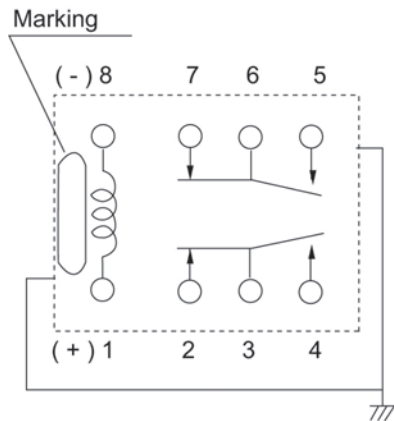
FTR-B3G-RF - Surface mount

● Dimensions

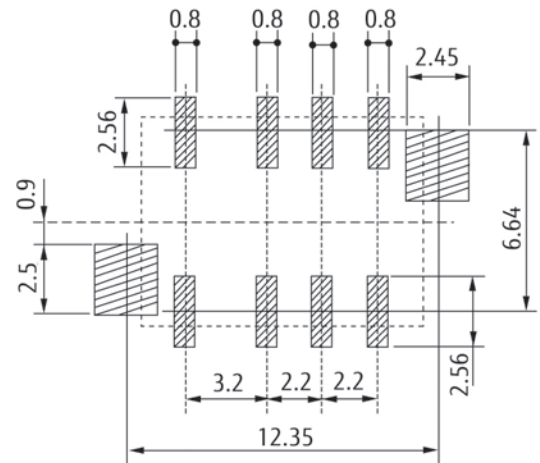


● Schematics (TOP VIEW)

Indicates reset state for latching relays (FTR-B3GB version)
Indicates non-operate state for standard relays (FTR-B3GA version)



● Suggested mounting pad (TOP VIEW)



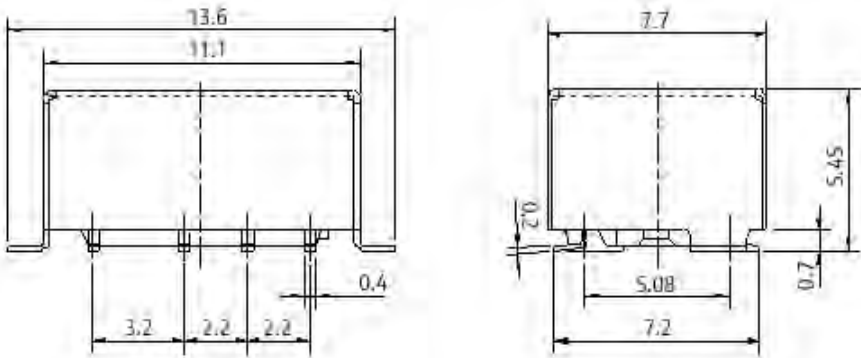
Unit: mm

FTR-B3-RF SERIES

■ DIMENSIONS

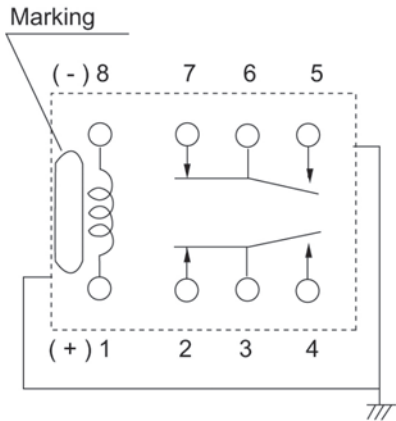
FTR-B3S-RF - Surface mount, space saving version

● Dimensions

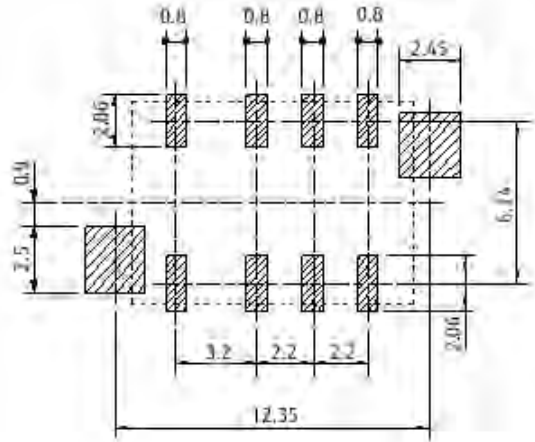


● Schematics (TOP VIEW)

Indicates reset state for latching relays (FTR-B3SB version)
 Indicates non-operate state for standard relays (FTR-B3SA version)



● Suggested mounting pad (TOP VIEW)



Unit: mm

■ COIL POLARITY LATCHING TYPE

Coil terminal	1	8
Set	+	-
Reset	-	+

RoHS Compliance and Lead Free Information

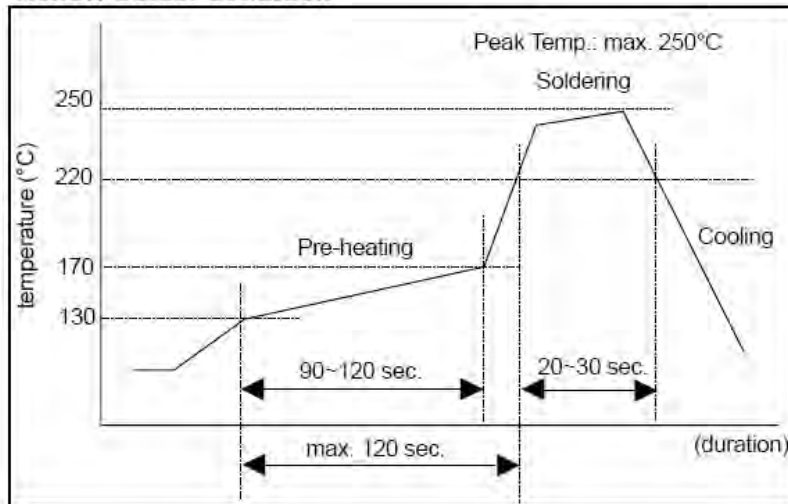
1. General Information

- All relays produced by Fujitsu Components are compliant with RoHS directive 2011/65/EU including amendments.
- Cadmium as used in electrical contacts is exempted from the RoHS directives.
As per Annex III of directive 2011/65/EU.
- All relays are lead-free. Please refer to Lead-Free Status Info for older date codes at:
<http://www.fujitsu.com/downloads/MICRO/fcai/relays/lead-free-letter.pdf>
- Lead free solder plating on relay terminals is Sn-3.0Ag-0.5Cu, unless otherwise specified.
This material has been verified to be compatible with PbSn assembly process.

2. Recommended Lead Free Solder Condition

- Recommended solder Sn-3.0Ag-0.5Cu.

Reflow Solder condition



Flow Solder Condition:

Pre-heating: maximum 120°C
within 9 sec.
Soldering: dip within 5 sec. at
255°C ± 5°C solder bath
Relay must be cooled by air immediately
after soldering

Solder by Soldering Iron:

Soldering Iron 30-60W
Temperature: maximum 350-360°C
Duration: maximum 3 sec.

We highly recommend that you confirm your actual solder conditions

3. Moisture Sensitivity

- Moisture Sensitivity Level standard is not applicable to electromechanical relays, unless otherwise indicated.

4. Tin Whiskers

- Dipped SnAgCu solder is known as presenting a low risk to tin whisker development. No considerable length whisker was found by our in house test.

Fujitsu Components International Headquarter Offices

Japan

Fujitsu Component Limited
Gotanda-Chuo Building
3-5, Higashigotanda 2-chome, Shinagawa-ku
Tokyo 141, Japan
Tel: (81-3) 5449-7010
Fax: (81-3) 5449-2626
Email: promothq@ft.ed.fujitsu.com
Web: www.fcl.fujitsu.com

North and South America

Fujitsu Components America, Inc.
250 E. Caribbean Drive
Sunnyvale, CA 94089 U.S.A.
Tel: (1-408) 745-4900
Fax: (1-408) 745-4970
Email: components@us.fujitsu.com
Web: <http://us.fujitsu.com/components>

Europe

Fujitsu Components Europe B.V.
Diamantlaan 25
2132 WV Hoofddorp
Netherlands
Tel: (31-23) 5560910
Fax: (31-23) 5560950
Email: info@fceu.fujitsu.com
Web: emea.fujitsu.com/components/

Asia Pacific

Fujitsu Components Asia Ltd.
102E Pasir Panjang Road
#01-01 Citilink Warehouse Complex
Singapore 118529
Tel: (65) 6375-8560
Fax: (65) 6273-3021
Email: fcal@fcal.fujitsu.com
Web: <http://www.fujitsu.com/sg/services/micro/components/>

©2014 Fujitsu Components Europe B.V. All rights reserved. All trademarks or registered trademarks are the property of their respective owners.

The contents, data and information in this datasheet are provided by Fujitsu Component Ltd. as a service only to its user and only for general information purposes.

The use of the contents, data and information provided in this datasheet is at the users' own risk.

Fujitsu has assembled this datasheet with care and will endeavor to keep the contents, data and information correct, accurate, comprehensive, complete and up to date.

Fujitsu Components Europe B.V. and affiliated companies do however not accept any responsibility or liability on their behalf, nor on behalf of its employees, for any loss or damage, direct, indirect or consequential, with respect to this datasheet, its contents, data, and information and related graphics and the correctness, reliability, accuracy, comprehensiveness, usefulness, availability and completeness thereof.

Nor do Fujitsu Components Europe B.V. and affiliated companies accept on their behalf, nor on behalf of its employees, any responsibility or liability for any representation or warrant of any kind, express or implied, including warranties of any kind for merchantability or fitness for particular use, with respect to these datasheets, its contents, data, information and related graphics and the correctness, reliability, accuracy, comprehensiveness, usefulness, availability and completeness thereof. Rev. January 15, 2014